



# Bellevue

Panorama® technology becomes an icon

Design Marc Sadler

Gelato



## Welcome to Bellevue

Combine perfect preservation in pozzetti with the visibility of flavours typical of display cases: with **Bellevue**, you can present your gelato like never before. A pozzetti counter that combines beauty, functionality and quality, maximising the visual appeal of the gelato.

### Freshly made

- Perfectly preserves the flavour, appeal and properties of the food.
- o Excellent **preservation** performance.
- o **Different temperatures** for different products.
- o Perfect **insulation** with double glazed doors and hermetic and servo-assisted closure.

### Create your own Bellevue

Choose from the many possible customisations:

- o **Bellevue Panorama® Tubs**, for tubs, or **Bellevue Panorama® Pans**, for gelato pans or other accessories.
- o With or without 4 **pivoting wheels**.
- o Available in **4 different finishes**.

### Perfection is in the details

- Every element of Bellevue is designed to offer a superior finish and maximum attention to detail.
- o **Elegant and sophisticated shape**.
- o **Compact design** only 700 mm (27.56") deep for best ergonomics while serving.
- o **Condensing unit** hidden from view, but easy to access.
- o Electrical **connection socket** housed in one of the counter's legs.

# General features

# Bellevue

Gelato

Only 700 mm (27.56") deep and just 870 mm (34.25") high, Bellevue offers higher ergonomics combined with a new way of serving and displaying.

The supporting structure is made of galvanised tubular metal, while the external cladding is in laminated wood, ensuring sturdiness and durability over time. The tank can be configured in:

- **Bellevue Panorama® Tubs** to house tubs.
- **Bellevue Panorama® Pans** to house standard gelato pans or accessories.

Both versions are with one level only and can be mounted on **swivel wheels**, two of which are fitted with a brake.

The **condensing unit**, which is housed in a dedicated compartment next to the pozzetti tank, can be accessed directly under the counter thanks to a mechanism that allows its descent for cleaning and maintenance operations. The motor housing area is not refrigerated, but becomes a practical serving surface.

The **display case** is fitted with an electrical socket positioned directly in one of the counter's legs, making it extremely fast and simple to install.

The **electronic control panel** with digital touch screen display can be single or double for versions with 2 temperatures. Bellevue is available only with on-board condensing unit.



# Bellevue

Gelato



## Data sheet

### > CLIMATIC CLASS 4

I Gelato +30°C - 55% U.R

### > SERVICES

I Gelato -2°C;-18°C;

### > SIZE

mm (inches)  
 H 870 (34,25")  
 Bellevue Tubs  
 1 temperature L 1900 (74,80") 8 holes/2150 (84,65")  
 10 fori/2400 (94,49") 12 fori  
 2 temperature L 2150 (84,65") 6+4 fori/2400 (94,49") 8+4 fori  
 Bellevue Pans  
 1 temperatura L 2031/2596 (79,96"/102,20")  
 2 temperatura L 2596 (102,20")  
 P 700 (27,56")

For more product information [click here](#)

### > ENERGY CLASS

| [click here](#)

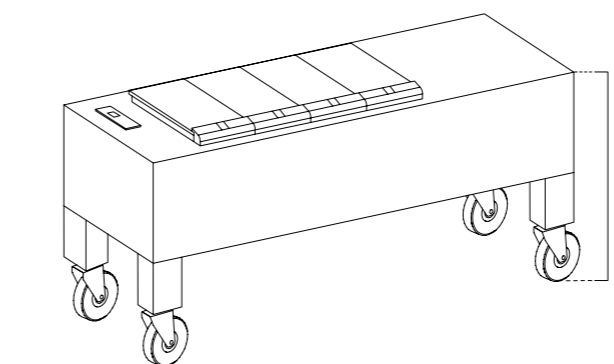
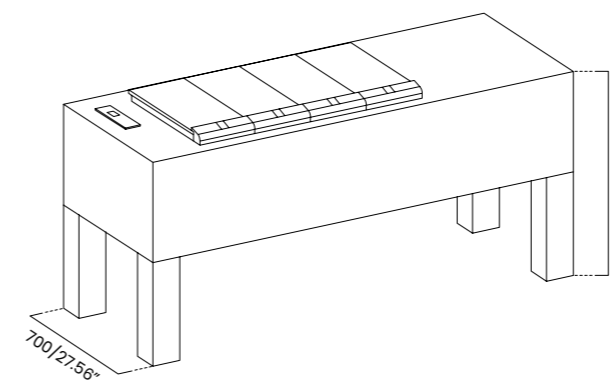
### > FINISHING

External coating in stratified available in 4 colors: black, concrete, wood and white



### > TECHNICAL DRAWINGS

#### BELLEVUE TUBS



#### BELLEVUE PANS

